
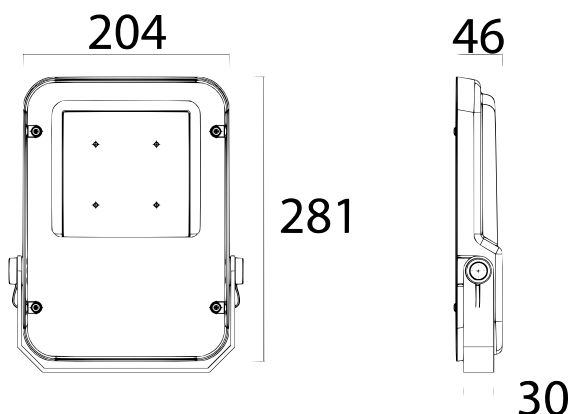


Icon Mini CL5515-1550-55



General Information

- Bracket mounting
- Operating temperature -40°C..+55°C
- Removable/Replaceable optical unit
- High pressure die-cast body and tempered glass
- Silicon gaskets
- Impact resistance IK08 (IK10 optional)
- 6930 lm
- CCT 4000K (3000, 5000, 5700, 6500, amber, blue, green red optional)
- CRI \geq 70 (80, 90 optional)
- LED Lifetime > 100.000h, L90B10
-  Optional
 - II 3G Ex nA IIC T4 Gc
 - II 3D Ex tc IIIC T85°C Dc
 - 20°C \leq Tamb \leq +50°C



Electrical Information

- 55W, 220-240V 50-60Hz
- Power factor \geq 0,9
- Connection cable 1,5 m
- Surge protection 6kV (10 and 20 kV optional)
- Control system on-off (Bluetooth, DALI, 1-10V, stand alone automation optional)
- Sensors PIR, Photocell, Daylight optional

